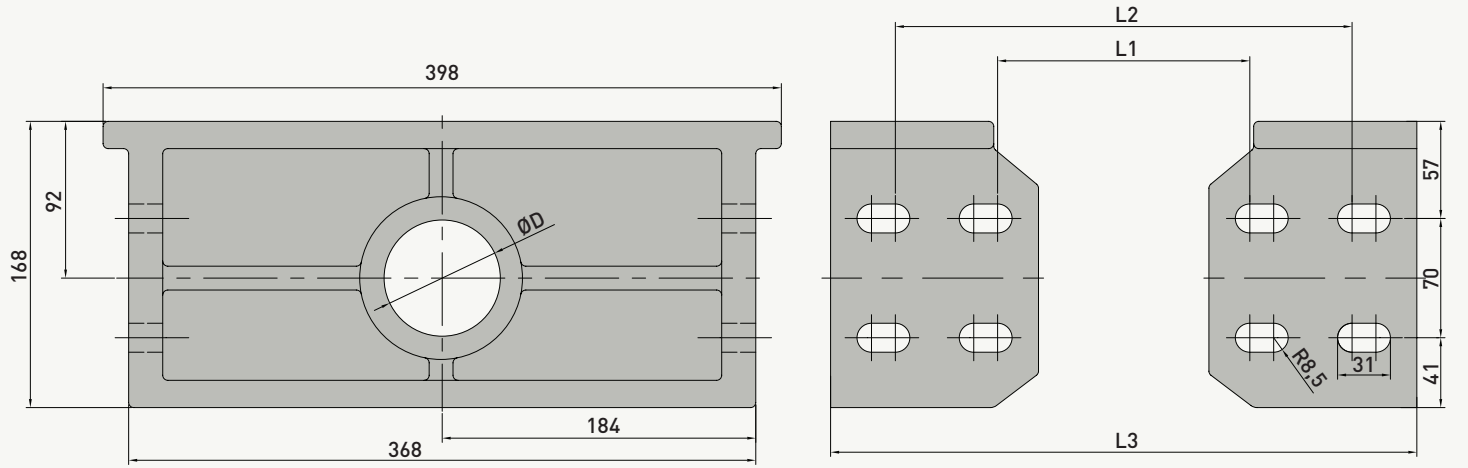


## ÖZELLİKLER / SPECIFICATIONS

Ağırlık / Weight	32 kg
Kullanılan Silindir Tipleri / Types Of Cylinders Used	FE Type
	FET Type



## TEKNİK ÇİZİM / TECHNICAL DRAWING



ÜRÜN TİPİ PROD. TYPE	ÜRÜN KODU PRODUCT CODE	SİLİNDİR TİPİ CYLINDER TYPE	ØD (mm)	L1 (mm)	L2 (mm)	L3 (mm)
SBR.02/65-368	22382065	FE-FET/___/1165	65,2	162	282	358
SBR.02/68-368	22382068	FE-FET/___/1190	68,2	192	312	388
		FE-FET/___/1215	68,2	217	337	413
		FE-FET/___/1245	68,2	247	367	443