

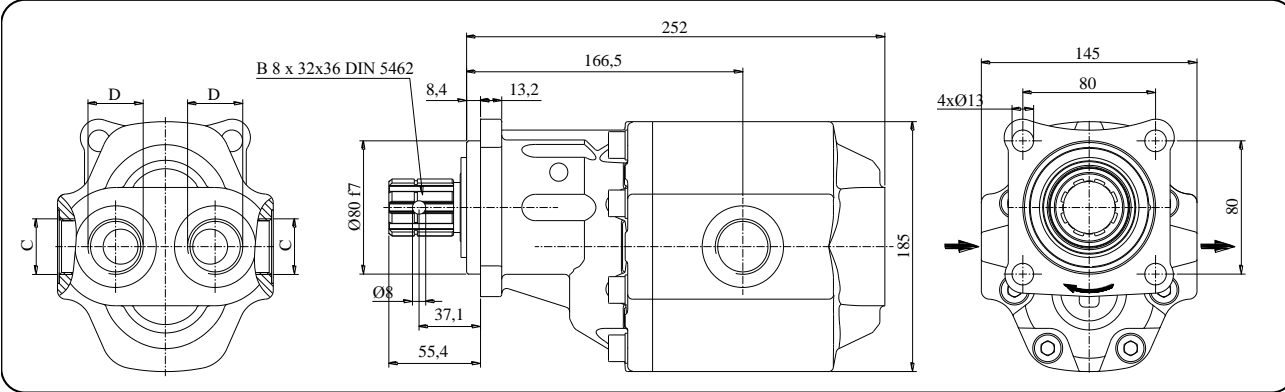
ÖZCEYLANLAR GEAR PUMP

TYPE : BI-ROTATIONAL GEAR PUMP
CODE : DP.40/150 DD

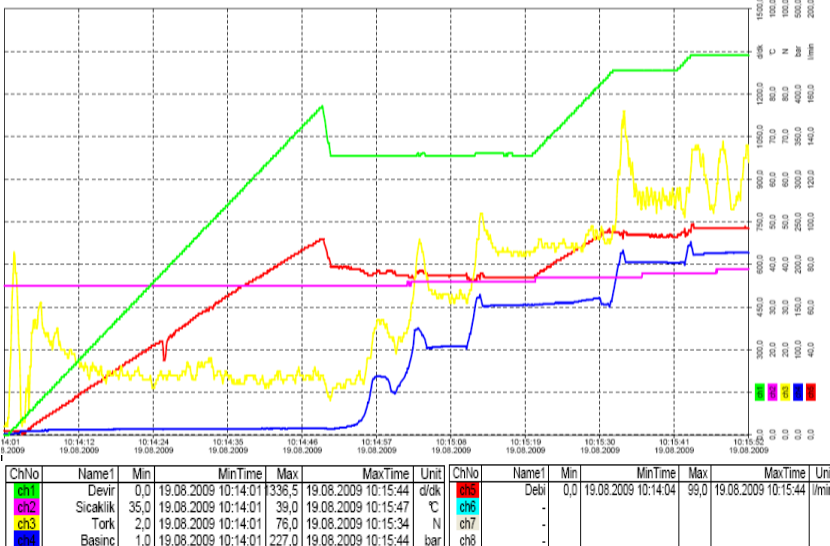


SPECIFICATIONS

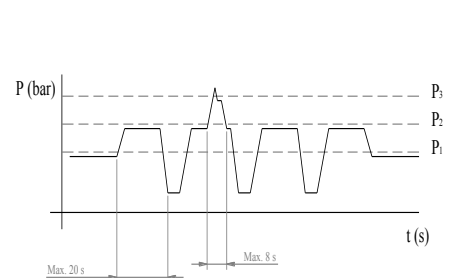
Displacement	: 150 cm ³ /dev.
Working Pressure	: 190 bar
Max.intermittent pressure	: 250 bar
Max.peak pressure	: 270 bar
Max.continuous speed	: 1300 1/dak
Max.speed at intermit. pressure	: 2400 1/dak
Oil temperature range	: -20 & 80 °C
Oil side inlet-outlet diameter- C	: R 1 1/4 "
Oil rear inlet-outlet diameter- D	: R 1 "
Weight	: 24 kg



PERFORMANCE GRAPH



PRESSURE DEFINITION



P₁ - Max. Sürekli basınç / Max. Continuous pressure
P₂ - Max. Kesintili basınç / Max. İntermittent pressure
P₃ - Max. Ani basınç / Max. Peak pressure